

**CANVAS**<sup>®</sup>  
— PARTITION SYSTEMS

**CANVAS PARTITION SYSTEM**

813, Fortune Business Hub, Near Shell Petrol Pump,  
Science City Road, Sola, Ahmedabad-380060, Gujarat, INDIA.

☎ +91 79 4917 7945, +91 90996 99681 **E-MAIL:** [info@dubonthardware.com](mailto:info@dubonthardware.com)

**DUBAI OFFICE:**

26, (2106-2108) Al Ekhyar Mumayz Business Center,  
IRIS Bay Tower, Opp. JW Marriott Hotel, P.O. Box : 78704,  
Business Bay, **DUBAI, UAE.**

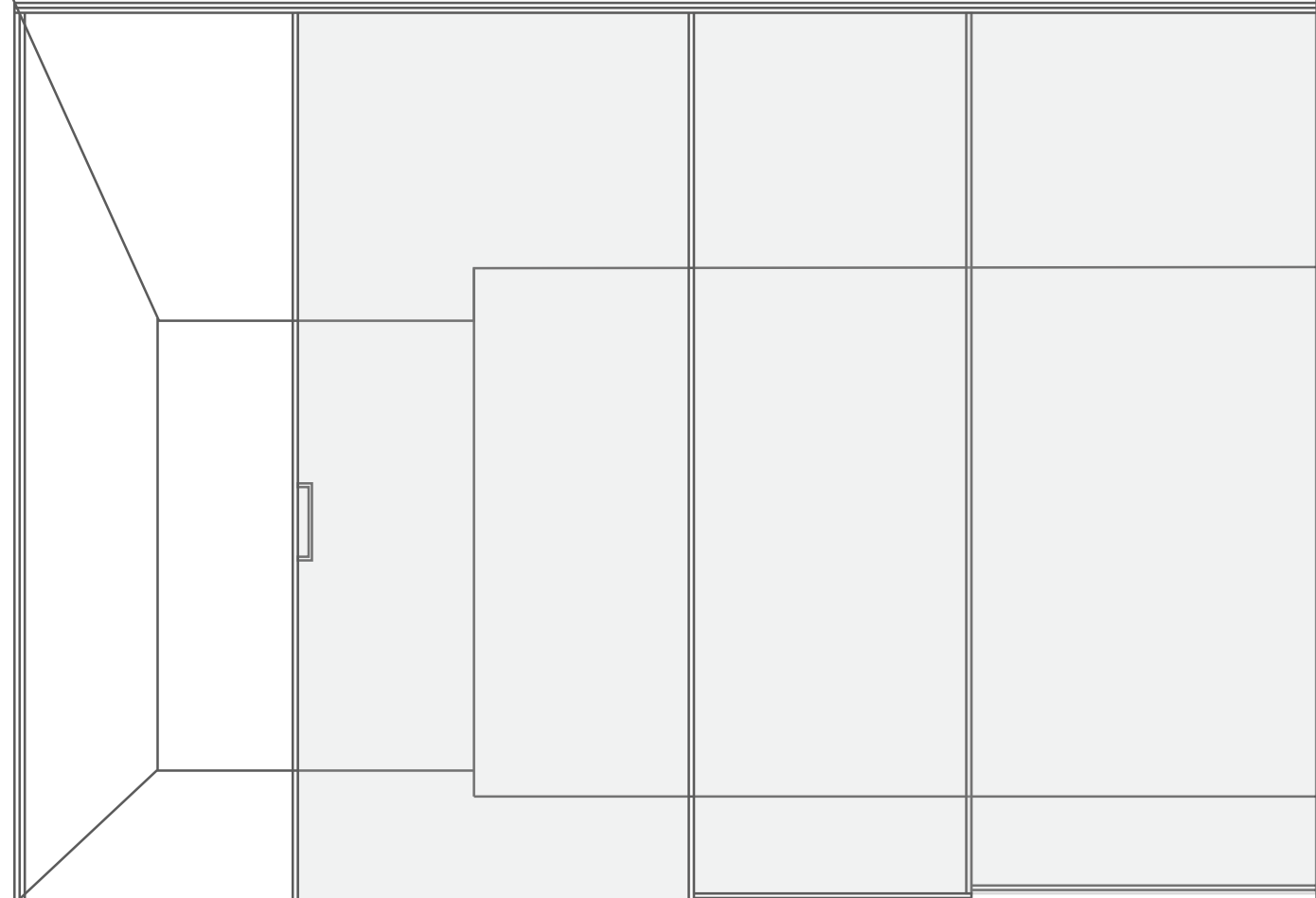
☎ +971 56 716 4522



SCAN FOR WEB

THE PINNACLE OF  
**GERMAN ENGINEERING**

**CANVAS**<sup>®</sup>  
— PARTITION SYSTEMS



## ABOUT US

Welcome to Dubont, where unparalleled sophistication meets visionary innovation. We are at the forefront of revolutionizing space aesthetics with our opulent glass partition systems. At Dubont, we don't merely provide glass; we craft the epitome of luxury and style through our bespoke partition solutions that elevate every environment to a realm of grandeur.

Since unveiling our CANVAS Collection in 2021, Dubont has redefined the landscape of modern partitions. The Canvas Collection stands as a testament to our commitment to perfection, blending avant-garde design with state-of-the-art functionality. Each partition exudes an aura of refinement and elegance, transforming both residential and commercial spaces into extraordinary showcases of contemporary opulence.

## OUR EVOLUTION

Say goodbye to outdated partition styles and hello to the future of space management. The era of bulky, uninspiring partitions is over. With Canvas, we bring you a new-age solution where minimalist design meets superior performance. Our slim and sophisticated partition systems are engineered to transform spaces, providing unparalleled aesthetic value and exceptional durability. Experience the unique and rare solutions that make CANVAS the leader in innovative glass partition systems.

## INDEX

<b>VERTIGO</b>	01
<b>ZENSCREEN</b>	03
<b>ELUDE</b>	05
<b>ILLUSION</b>	07
<b>VIRTUE</b>	09
<b>OLYMPIA</b>	11
<b>ARTSY</b>	13
<b>MYSTERY</b>	15
<b>BREEZE</b>	17
<b>MONET</b>	19
<b>GOTHIC</b>	21
<b>MODUSPACE</b>	23

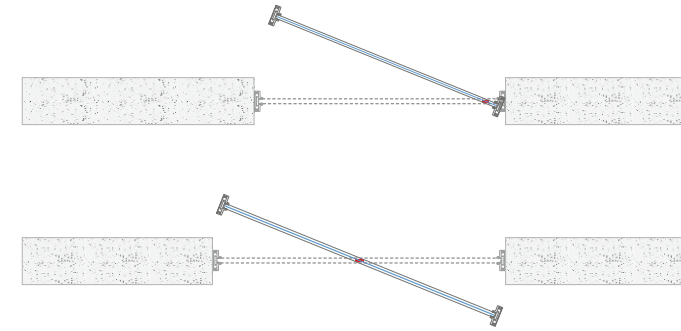
# VERTIGO



Vertigo redefines luxury with its precision-engineered pivot doors. Experience whisper-quiet elegance and effortless swing, customizable in center or side configurations, for a touch of unparalleled sophistication.

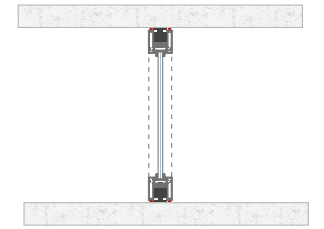
Designed for ultimate functionality, Vertigo doors feature a unique 360° rotation and a soft-close system, ensuring a smooth and gentle operation every time. With strong profiles and a concealed mechanism, they combine durability with sleek aesthetics. The option for both side and center pivot systems enhances their versatility, allowing for seamless integration into any space. Finished to perfection, these doors create a bold impression while still looking classy and elegant.

## TOP VIEW



Door system offers option of center pivot  
Or side pivot.

## CONCEALED MECHANISM



Mechanism is concealed inside door frame  
to give it a clean finish.

## PROFILE FINISHES



Midnight black



Majestic gold



Bronze reverie



Rosy glimmer

## KEY FEATURES

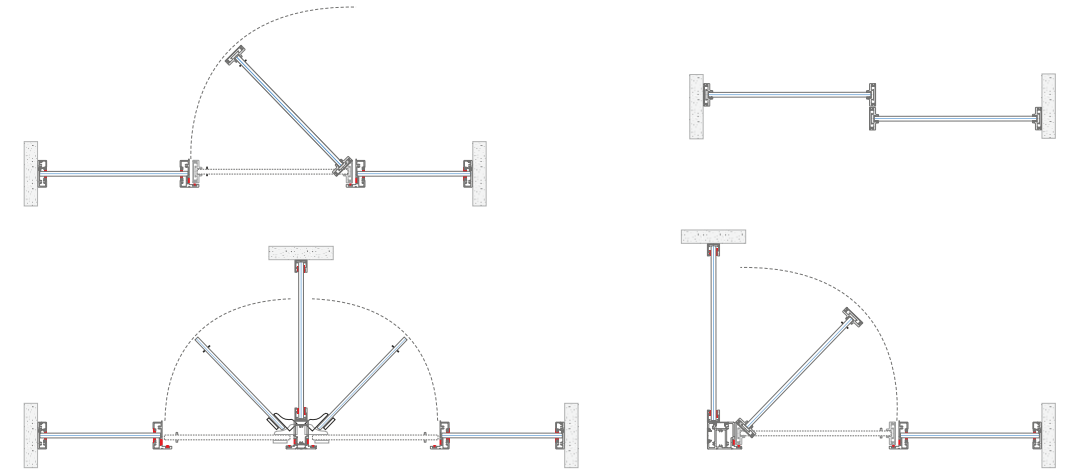
- STYLE** : Slim profile with pivoted doors system
- GLASS THICKNESS** : 8, 9 & 10MM
- DESIGN ENHANCEMENT** : Uncompromising strength meets style. Customize with concealed grids for a flawless, clean finish.
- PROFILE COLOR FINISHES** : 4 Standard Finishes
- WEIGHT CAPACITY** : 75KG / 150KG / 200KG
- COMPOSITION** : Heavy Duty Precision Engineered Concealed Pivot Hinge
- COMBINATIONS** : 7+ Types

# ZENSCREEN

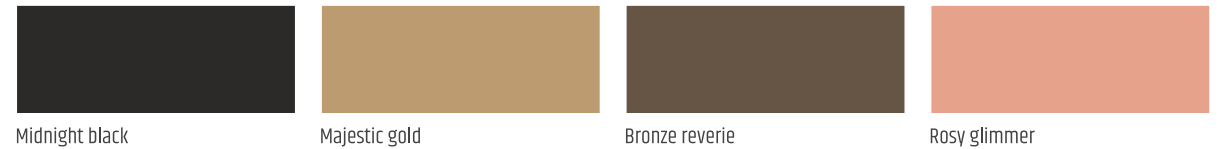


Zen Screen elevates your shower experience with custom architect-designed partitions. Choose from full-height or exhaust heights to achieve modern luxury with sleek, minimalist design.

## TOP VIEW



## PROFILE FINISHES



Midnight black

Majestic gold

Bronze reverie

Rosy glimmer

## KEY FEATURES

- STYLE** : Slim profile shower partition system
- GLASS THICKNESS** : 8, 9 & 10MM
- DESIGN ENHANCEMENT** : Tailored Perfection. Full/exhaust height options, high-strength profiles & flawless closure create your dream shower.
- PROFILE COLOR FINISHES** : 4 Standard Finishes
- COMPOSITION** : Minimalist Frame Door and Frameless Glass Door
- COMBINATIONS** : 15+ Types
- AUTO CLOSE SYSTEM** : Available

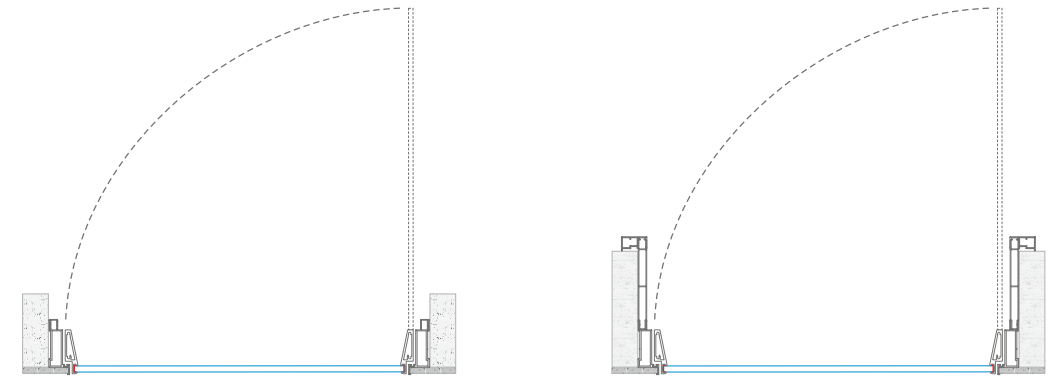




Elude offers modern luxury with its Swing-Flush Door System. Ultra-slim aluminum profiles and customizable finishes provide seamless integration and sophisticated elegance.

Redefine your surroundings with Elude's innovative design, featuring robust profiles and striking grid patterns that effortlessly blend into any setting. The ultra-slim silhouette and impeccable finish ensure a harmonious balance of beauty and practicality, complemented by an emergency door opening lock for added peace of mind. Experience the essence of modern elegance, where every aspect is exquisitely curated to evoke admiration.

TOP VIEW



PROFILE FINISHES



Midnight black



Platinum glow



Bronze reverie

KEY FEATURES

- STYLE** : Minimalist Profile Hidden Door System
- THICKNESS** : 8MM
- DESIGN ENHANCEMENT** : Modern Masterpiece. High-strength profiles, captivating new grids, and a flawless finish elevate your Elude for a truly invisible statement.
- PROFILE COLOR FINISHES** : 3 Standard Finishes
- WALL COVER OPTION** : Yes
- EMERGENCY OPENING** : Yes

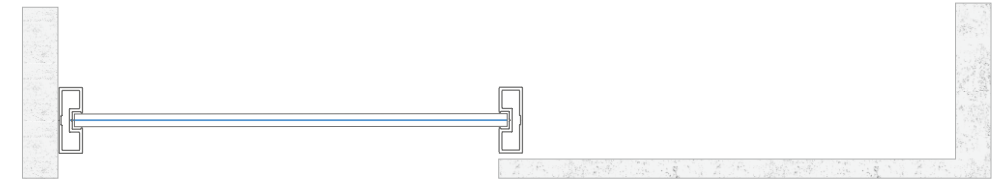
# ILLUSION



Illusion transforms spaces with its slim-profile pocket door system. Effortlessly disappearing glass panels create a seamless, open environment with a touch of stylish sophistication.

The Illusion door system combines strength and elegance, featuring a robust profile for lasting durability. Its ultra-luxurious sliding mechanism ensures smooth operation, while customizable glass options provide both safety and style. Perfect for modern interiors, the Illusion enhances your space with a refined aesthetic.

## TOP VIEW



## PROFILE FINISHES



Midnight black



Majestic gold



Bronze reverie



Rosy glimmer

## KEY FEATURES

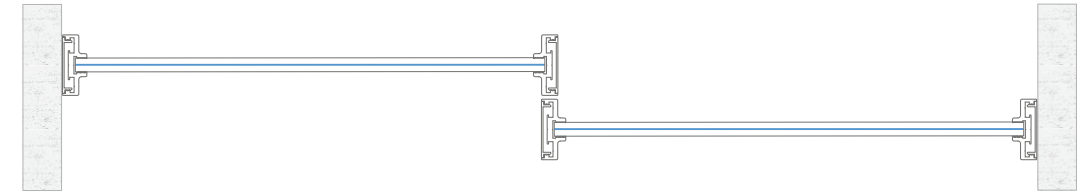
- STYLE** : Pocket Door System/Single Sliding Door System
- GLASS THICKNESS** : 8, 9, 10 & 11.52MM
- DESIGN ENHANCEMENT** : Choose captivating grids for a disappearing slim-profile pocket door system that's both beautiful and functional. It also comes with stunning finishes that make it stand out.
- PROFILE COLOR FINISHES** : 4 Standard Finishes
- WEIGHT CAPACITY** : 80KG to 120KG
- COMPOSITION** : Heavy Duty Soft Close Roller & SS Body Damper



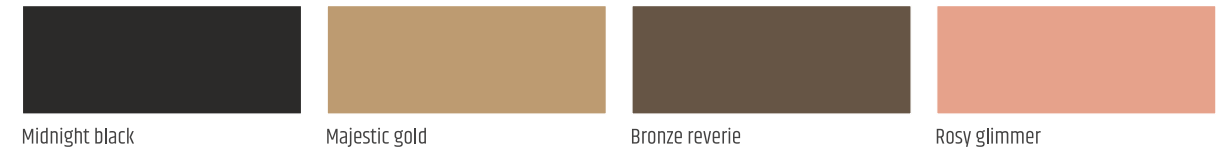


Virtue exudes modern elegance with its sleek, minimalist design. Seamlessly integrate into any décor to create a striking, luxurious impact.

TOP VIEW



PROFILE FINISHES



KEY FEATURES

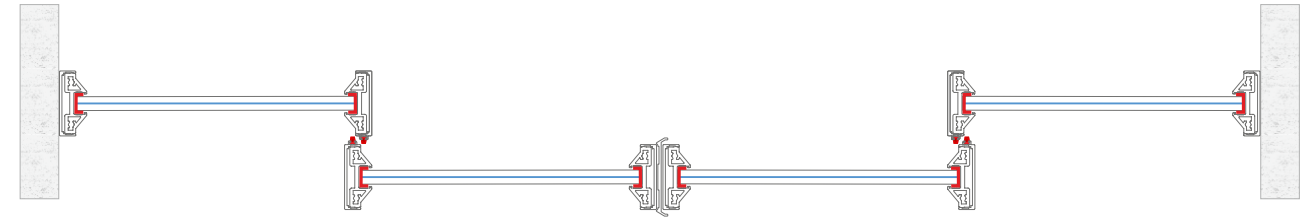
- STYLE** : 2 Panel Sliding System
- GLASS THICKNESS** : 8, 9, 10 & 11.52MM
- DESIGN ENHANCEMENT** : Virtue empowers design freedom with unmatched strength, precise finishes, movable panel is, and captivating new grids.
- PROFILE COLOR FINISHES** : 4 Standard Finishes
- WEIGHT CAPACITY** : 80KG to 120KG
- COMPOSITION** : Heavy Duty Soft Close Roller & SS Body Damper
- WALL COVER OPTION** : Yes

# OLYMPIA



Olympia blends timeless charm with modern innovation. Its 2+2 Slim Profile Sliding System, crafted from robust materials, adds graceful, enduring elegance to any space.

## TOP VIEW



## PROFILE FINISHES



Midnight black



Majestic gold



Bronze reverie



Rosy glimmer

## KEY FEATURES

- STYLE** : Synchronized Sliding System
- GLASS THICKNESS** : 8, 9, 10 & 11.52MM
- DESIGN ENHANCEMENT** : Customize Olympia with high-strength grids in timeless, concealed, or wall-cover styles for a flawless finish. Concealed or wall-cover styles, clean aesthetic with a precision finishing.
- PROFILE COLOR FINISHES** : 4 Standard Finishes
- WEIGHT CAPACITY** : 80KG to 120KG
- COMPOSITION** : Heavy Duty Soft Close Roller & SS Body Damper



# ARTSY



Artsy merges precision and creativity with its slim-profile, three-panel sliding system. Meticulously designed to enhance your décor with intelligent, understated beauty.

## TOP VIEW



## PROFILE FINISHES



Midnight black



Majestic gold



Bronze reverie



Rosy glimmer

## KEY FEATURES

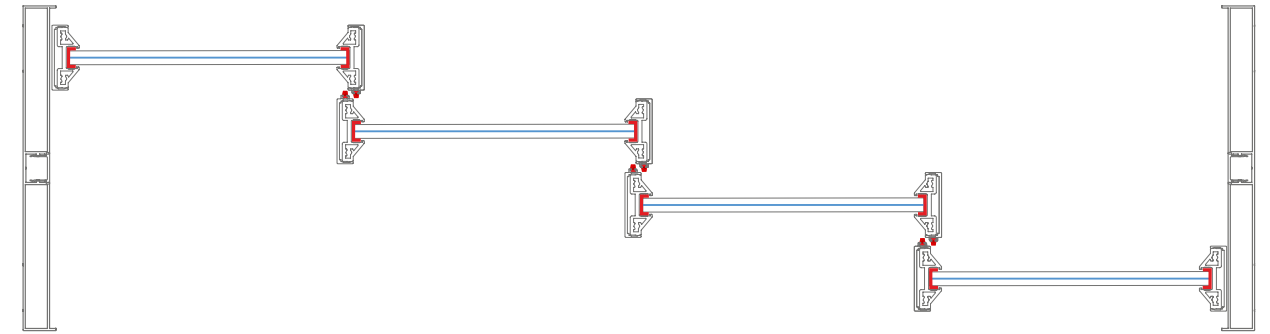
- STYLE** : 3 Panel Sliding System
- GLASS THICKNESS** : 8, 9, 10 & 11.52MM
- DESIGN ENHANCEMENT** : Cohesive Elegance. Masked & wall-cover options, high-strength profiles, captivating new grids, and all panels movable for ultimate design freedom.
- PROFILE COLOR FINISHES** : 4 Standard Finishes
- WEIGHT CAPACITY** : 80KG to 120KG
- COMPOSITION** : Heavy Duty Soft Close Roller & SS Body Damper

# MYSTERY



Mystery combines elegance with modern sleekness. Its slim-profile, four-panel sliding system is a versatile, sophisticated choice for refined space division.

## TOP VIEW



## PROFILE FINISHES



Midnight black



Majestic gold



Bronze reverie



Rosy glimmer

## KEY FEATURES

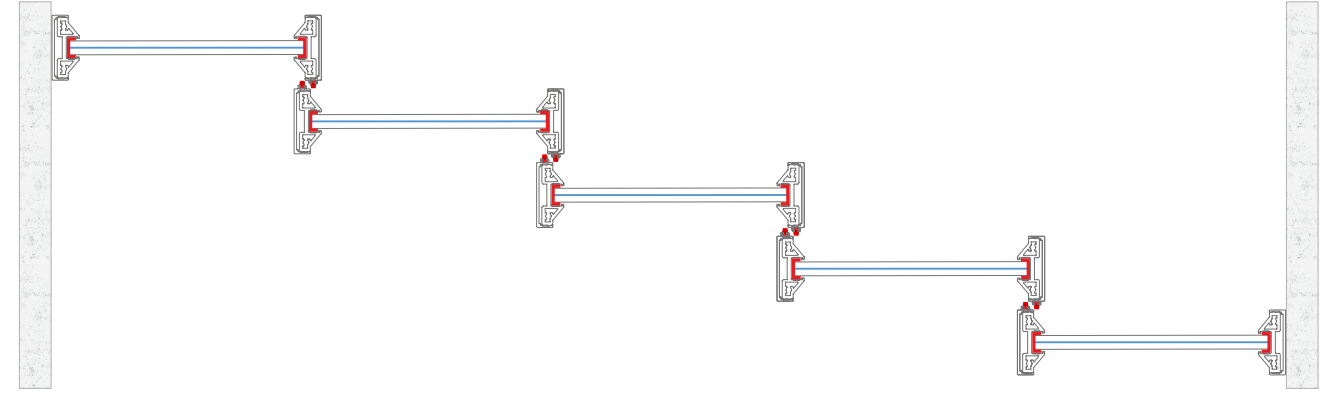
- |                               |  |
|-------------------------------|--|
| <b>STYLE</b>                  | : 4 Panel Sliding System   |
| <b>GLASS THICKNESS</b>        | : 8, 9, 10 & 11.52MM   |
| <b>DESIGN ENHANCEMENT</b>     | : Unveiled Grandeur. Unmatched strength meets captivating design. Four-panel sliding system with movable panels and an array of stunning finishes for ultimate design flexibility. |
| <b>PROFILE COLOR FINISHES</b> | : 4 Standard Finishes  |
| <b>WEIGHT CAPACITY</b>        | : 80KG to 120KG  |
| <b>COMPOSITION</b>            | : Heavy Duty Soft Close Roller & SS Body Damper  |

# BREEZE



Breeze embodies openness with its minimalist, effortlessly gliding doors. Create a harmonious expanse that integrates seamlessly with your décor, reflecting modern elegance.

## TOP VIEW



## PROFILE FINISHES



Midnight black



Majestic gold



Bronze reverie



Rosy glimmer

## KEY FEATURES

- |                               |  |
|-------------------------------|--|
| <b>STYLE</b>                  | : 5 Panel Sliding System   |
| <b>GLASS THICKNESS</b>        | : 8, 9, 10 & 11.52MM   |
| <b>DESIGN ENHANCEMENT</b>     | : Effortless Harmony. Unmatched design freedom with concealed & wall-cover grid options, durable profiles, and captivating new grids for a flawless aesthetic. |
| <b>PROFILE COLOR FINISHES</b> | : 4 Standard Finishes  |
| <b>WEIGHT CAPACITY</b>        | : 80KG to 120KG  |
| <b>COMPOSITION</b>            | : Heavy Duty Soft Close Roller & SS Body Damper  |





Monet reimagines partitioning with its minimalist dark metal framework and varied glass finishes. Achieve a chic, professional aesthetic with a striking visual statement.



PROFILE FINISHES



Midnight black



Majestic gold



Bronze reverie



Rosy glimmer

KEY FEATURES

**STYLE** : Slim Profile Fixed Partition System

**GLASS THICKNESS** : 8, 9, 10 & 11.52MM

**DESIGN ENHANCEMENT** : Strong & beautiful. New grids & perfect finishes enhance your Monet.

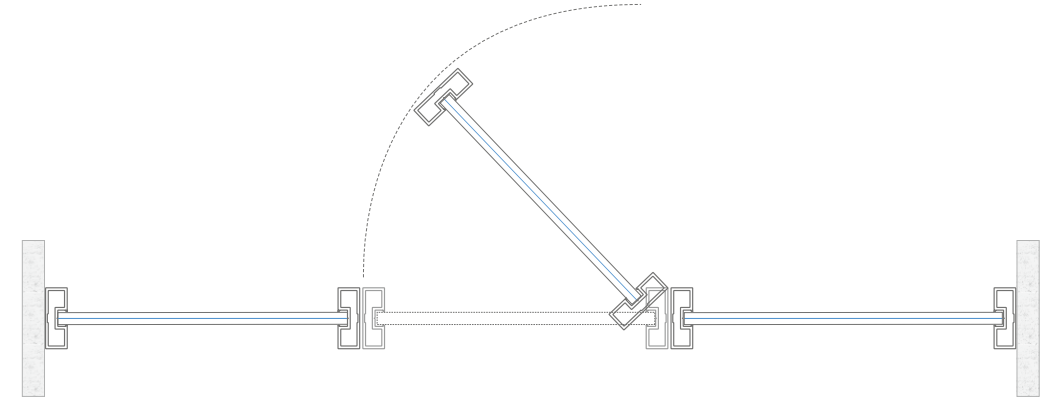
**PROFILE COLOR FINISHES** : 6+ Shades and All RAL Finishes

# GOTHIC



Gothic brings brilliance to your space with its finely crafted systems. The integrated doorway blends classic precision with modern elegance for a functional, beautiful environment.

## TOP VIEW



## PROFILE FINISHES



Midnight black



Majestic gold



Bronze reverie



Rosy glimmer

## KEY FEATURES

- STYLE** : Slim Partition System
- GLASS THICKNESS** : 8, 9, 10 & 11.52MM
- DESIGN ENHANCEMENT** : High-strength profiles, exquisite finishes & captivating new grids elevate your space.
- PROFILE COLOR FINISHES** : 4 Standard Finishes
- WEIGHT CAPACITY** : 80KG to 120KG
- COMPOSITION** : Heavy Duty Soft Close Hinge

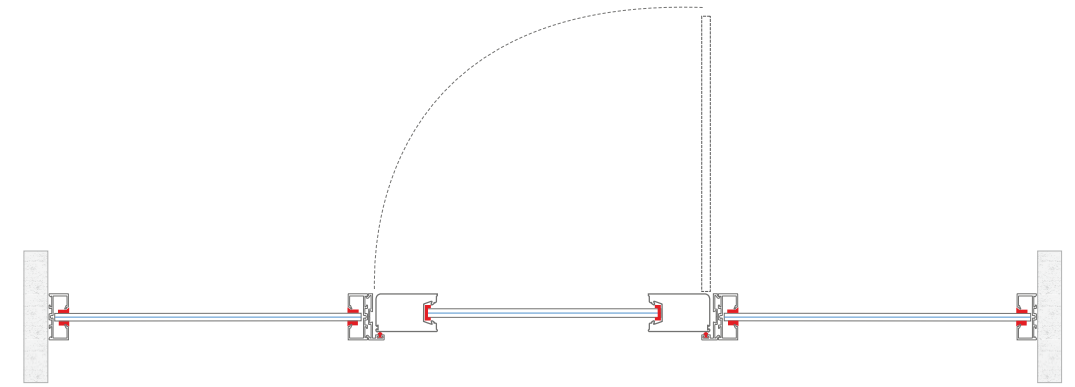


# MODUSPACE



Moduspace delivers flexibility with its Demountable Partitions. Choose from full-height or exhaust-height solutions, designed to seamlessly transform your workspace with effortless elegance.

## TOP VIEW



## PROFILE FINISHES



Black matt



Silver matt



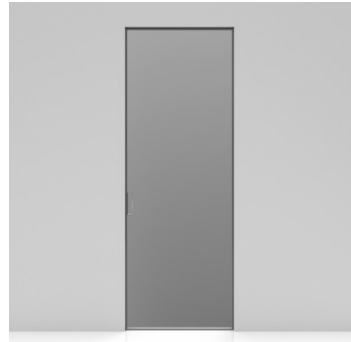
All RAL colors

## KEY FEATURES

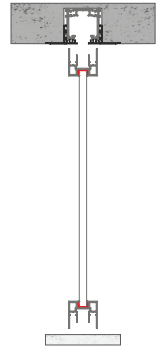
- STYLE** : Demountable Glass Partition System
- GLASS THICKNESS** : 8 & 10 MM
- DESIGN ENHANCEMENT** : Modern and sleek design elevates the overall look and feel of your office space.
- PROFILE COLOR FINISHES** : 2 Standard Finishes and All RAL Colors
- PARTITION HEIGHT** : Up to 3000 MM
- ACOUSTIC PERFORMANCE** : 32 DB Noise Insulation
- VISUAL CONTINUITY** : Compatible With Transparent Glass-to-Glass Dry Joints



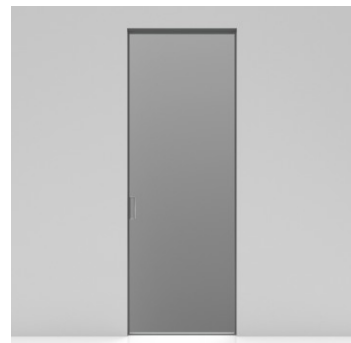
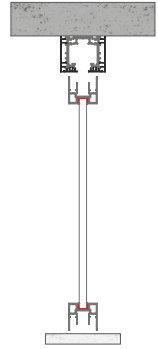
ILLUSION



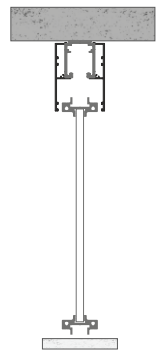
CONCEALED MOUNT



SURFACE MOUNT WITH FLUSH COVER



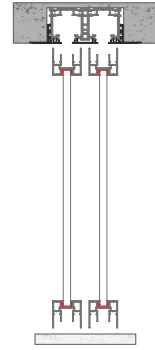
SURFACE MOUNT



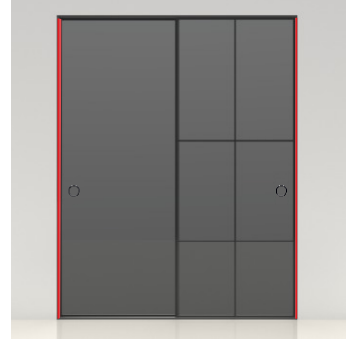
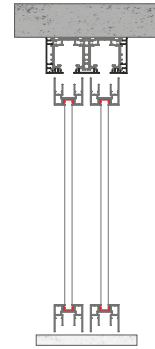
VIRTUE



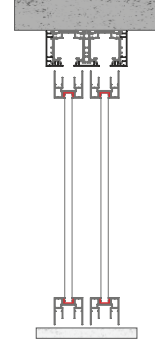
CONCEALED MOUNT



SURFACE MOUNT WITH FLUSH COVER



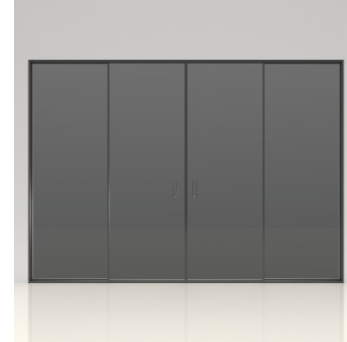
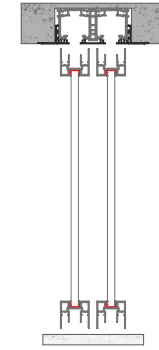
WITH WALL COVER



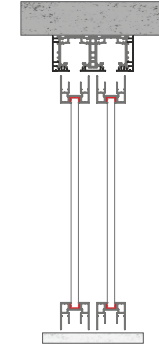
OLYMPIA



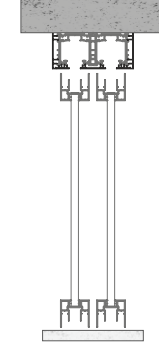
CONCEALED MOUNT



SURFACE MOUNT WITH FLUSH COVER



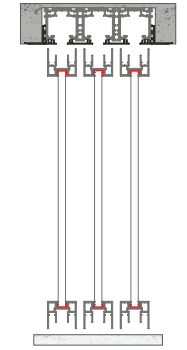
WITH WALL COVER



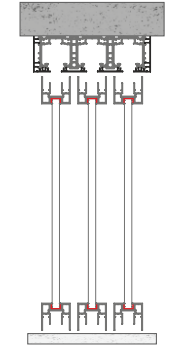
ARTSY



CONCEALED MOUNT



SURFACE MOUNT WITH FLUSH COVER



WITH WALL COVER

